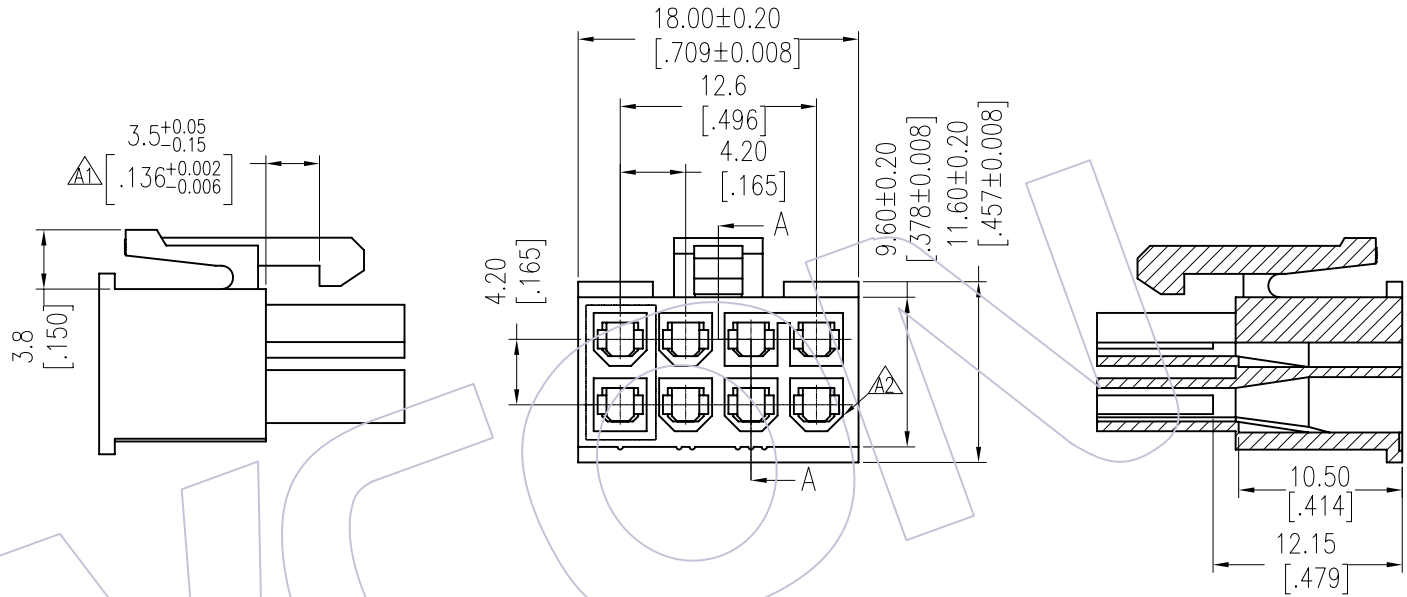


# HSF

NOTES:  
 Rated Current:9.0A  
 Rated Voltage:600V AC/DC  
 Contact Resistance:20mΩ max  
 Withstand Voltage:1000V AC/Minute  
 Insulation Resistance:1000MΩ min  
 Operation Temperature:-25°C to+85°C  
 Insulator Material:PA66(UL94V-2)



Section A-A

## Ordering Information

WF4202A -2 H 04 X 0 1

No. of Row  
Dual Row

No. of pins  
04P

Color  
W=White  
B=Black

Packing  
0=PE Bag

REV	DATE	MODIFICATION DESCRIPTION	CHANGE	APPROVE	OPERATION	DRAW	MYQ	11/03/28	SCALE	Fit	Customer NO.
A2	11/03/28	Modify drawing			X.X ±0.40	DESIGN			UNIT	mm	
A1	08/12/01	Modify drawing			X.XX ±0.25				SIZE	A4	
A0	08/08/13	NEW			X.XXX ±0.15	CHECK			SHEET	1/1	
					Angle ± 3'	APPROVE			PROJ.	☉	
					DIM TOL						